

Transducer H10J

RoHS

Capacity	Part number
16.5K	H10J-16.5K-10
16.5K	H10J-16.5K-13
16.5K	H10J-16.5K-16
15K	H10J-15K-19
16.5K	H10J-16.5K-27
15t	H10J-15t-30
15t	H10J-15t-31
15t	H10J-15t-40
15t	H10J-15t-41
15t	H10J-15t-42



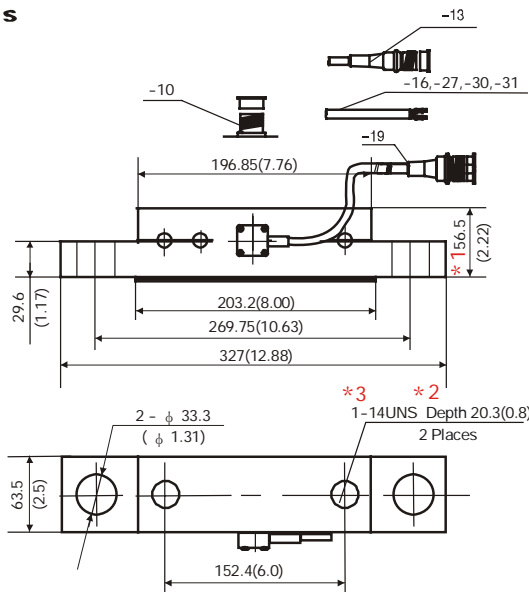
Alloy steel, nickel-plated.
Adhesive sealed, good stability.

Specifications

Systematic Serial Number		-10, -13	-16, -27	-19	-30,-40-,42	-31,-41,
Static Load		16.5Klb		15Klb	15t	
Output Sensitivity	mV/V	0.5±0.01(@12.5K)	0.5±0.01(@12.5K)	0.5291±0.01(@13228lb)	0.5±0.05(@6t)	0.45±0.05(@6t)
Non-Repeatability	%FS	0.1		Temperature, Operating	°C	-35~+65
Creep	%FS/20min	0.1		Excitation, Recommended	V	5-12(DC)
Input Resistance	Ω	387±25		Safe Overload	%FS	120
Output Resistance	Ω	350±3.5		Ultimate Overload	%FS	150
Insulation Resistance	MΩ	≥5000(50VDC)		Protection Class	IP 67	
Zero Output	%FS	2.0		Cable End	-10	7-core socket, with dust-proof cap
Temperature Effect on Zero	%FS/10°C	0.2			-13	10m cable with 7-core plug, with dust-proof cap
Temperature, Compensated	°C	-10~+40			-16,-27 -30,-31	10m cable
Combined Error	%FS	1.0			-19	1m cable with 4-core plug, with dust-proof cap
				-40,-41 -42	10m cable(Green)	

Connections Red Input(+) Black Input(-) Green Output(+) White Output(-) Suitable for 30, -31,-40,-41,-42; D Input(+) C Input(-) A Output(+) F Output(-) Suitable for 10, -13
Red Input(+) Black Input(-) White Output(+) Green Output(-) Suitable for 16, -27; A Input(+) D Input(-) B Output(+) C Output(-) Suitable for -19

Outline Dimensions (mm/inch)



- *1 The size is 62(2.44) for model H10J-15t-31, H10J-15t-42
- *2 The size is 25.4(0.8) for model H10J-15t-31, H10J-15t-41, H10J-15t-42
- *3 The size is 1-12UNF for model H10J-15t-31, H10J-15t-41